

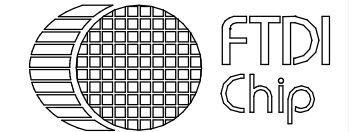
BUILD STATISTICS

GENERAL	
NETS	60
COMPONENTS	112
PRIMITIVES	
FILLS	12
TRACKS	14040
STRINGS	141
ARC'S	68
LANDS	
PADS	397
VA'S	225
HOLES (Total)	277
PRINT SCALE	
SCALE: 1.00	

Board finish = Immersion Gold
 Soldermask = Both Sides -BLUE
 Silkscreen = Both Sides / White Board: FR4, 1.6mm, 1 oz Cu

Layer Stack Up Detail for: NERO.PcbDoc

Layer Name
Top Layer[1]
Bottom Layer[2]

TITLE: FTDI Nero Board Inspired by Arduino UNO R3		Future Technology Devices International Ltd. 178 Paya Lebar Road, #07-04/05 Singapore 409030 www.ftdichip.com		
ENGINEER: NG YEE BIN	DATE: 04/01/2016	PART No.: *	REV: 1.1	
PCB DESIGNER: NG YEE BIN	FILE NAME: NERO	DWG No.: HW_459	SCALE: SCALE:1.00	A4

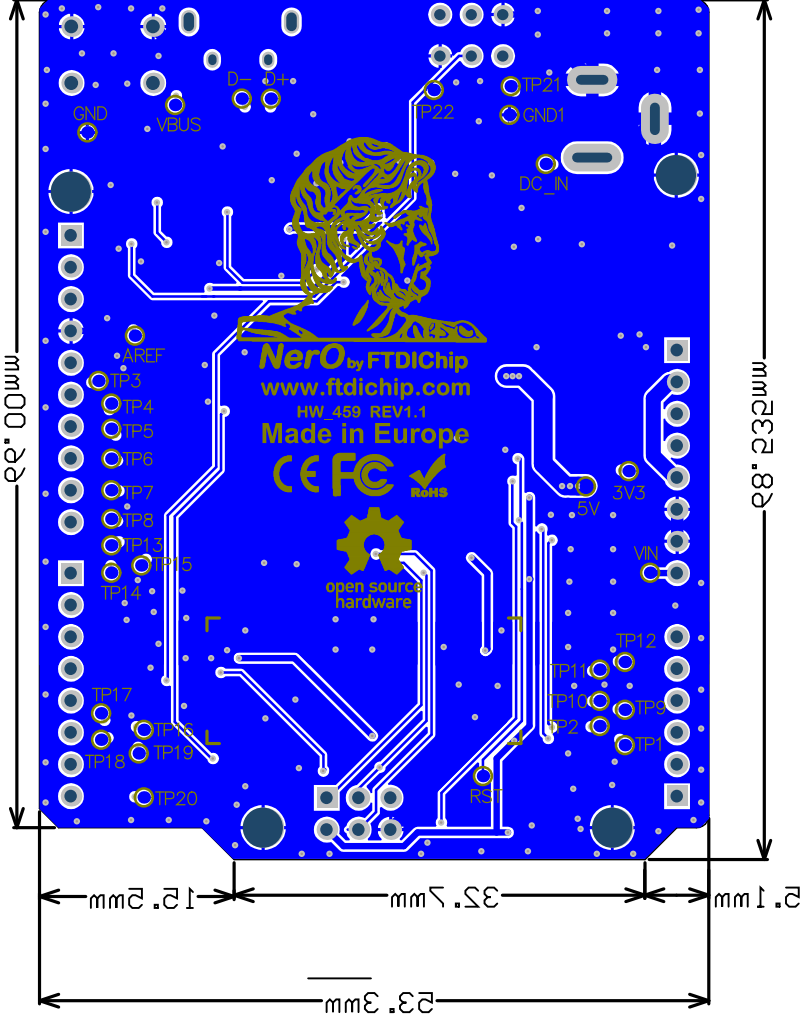
PRINT SCALE: 1:00

HOLEs (Total) 277	
PADs 307	
LANDs	
ARCS 88	
STRINGS 141	
TRACKs 14040	
FILs 12	
PRIMITIVES	
COMPONENTs 112	
NETs 80	
GENERAL	

BUILD STATISTICS

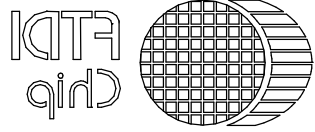
Bottom Layer[2]	
Top Layer[1]	
Layer Name	
Layer Stack Up Detail for: NERO.PcbDoc	

Silkscreen = Both sides \ White Board; FR4, 1.6mm, 1 oz Cu
 Soldermask = Both sides -BLUE
 Board finish = Immersion Gold



FTDI Nero Board Inspired by Arduino UNO R3

PCB DESIGNER: NG YEE BIN		FILE NAME: NERO	DATE: 04\01\2016	ENGINEER: NG YEE BIN	TITLE:
PRT No.: *		DWG No.: HW_459	SCALE: 1:00	REV: 1.1	Future Technology Devices International Ltd. 178 Paya Lebar Road, #07-04\05 Singapore 409030 www.ftdichip.com



A

B

C

D

4

3

2

1

4

3

2

1