

IDP-4000-04A Touch Display Module Datasheet



1 Introduction

The IDP-4000-04A is a smart display module featuring a 4" TFT LCD panel with a resolution of 480 x 480 and a projected capacitive multi-touch (PCAP) interface. It integrates Bridgetek's proprietary Embedded Video Engine (EVE) Graphic Controller, the BT815, to deliver rich, intuitive, and multi-touch graphic user interfaces. The module is powered by the cost-effective and high-performance Raspberry PI RP2040 microcontroller.

Unlike mobile devices that require regular recharging, this module is designed for installation in accessible locations, powered continuously via an RJ45-JST8 cable connection.

The IDP-4000-04A module, featuring the Raspberry Pi MCU RP2040 and the advanced BT815 GPU, is specifically designed for GUI application development. Bridgetek offers extensive software and documentation support, including a Board Support Package (BSP) and tutorials, all accessible through the open-source repository. Additionally, the cutting-edge EVE Screen Designer (ESD) IDE provides a free, codeless, drag-and-drop interface for effortless GUI design.

1.1 Features

- Incorporates Raspberry Pi RP2040 Dual ARM Cortex-M0+ @ 133MHz
- Integrated with advanced BT815 Graphics Controller for enhanced performance
- Features a 4-inch LCD display with 480x480 resolution and Projected Capacitive Multi-Touch (PCAP) support
- Supports 5-point multi-touch for intuitive control with fingers
- RS485 interface for programming and data communication
- Equipped with a built-in buzzer for audio feedback
- Powered by a 24VDC source via an RJ45-JST8 cable.
- Sleek and modern design.

Neither the whole nor any part of the information contained in, or the product described in this manual, may be adapted or reproduced in any material or electronic form without the prior written consent of the copyright holder. This product and its documentation are supplied on an as-is basis and no warranty as to their suitability for any particular purpose is either made or implied. Bridgetek Pte Ltd will not accept any claim for damages howsoever arising as a result of use or failure of this product. Your statutory rights are not affected. This product or any variant of it is not intended for use in any medical appliance, device or system in which the failure of the product might reasonably be expected to result in personal injury. This document provides preliminary information that may be subject to change without notice. No freedom to use patents or other intellectual property rights is implied by the publication of this document. Bridgetek Pte Ltd, 1 Tai Seng Avenue, #03-05, Singapore 4536464. Singapore Registered Company Number: 201542387H

2 Part Numbers/Ordering Information

Part No.	Description
IDP-4000-04A	Intelligent Display Product 4.0 inch with Enclosure
PA-0014-00A	IDP-4000-04A Wall Box Mounting Bracket (Included in the package; optional for additional purchases)
PA-0015-00A	IDP-4000-04A Rear Cover Mounting Bracket (Included in the package; optional for additional purchases)

Table 1 - Part Numbers/Ordering Information

Contents

1	Introduction.....	1
1.1	Features	1
2	Part Numbers/Ordering Information	2
3	Hardware Features	5
3.1	PCBA Profile	6
3.1.1	Key Features	7
3.2	PCB Profile	8
3.3	Connectors, Switches and Buttons	9
3.3.1	Mainboard	9
3.3.2	Switches and Buttons	11
4	Board Schematics	12
5	Device Description and Configuration	14
5.1	Power Supply	14
5.2	Microcontroller	14
5.3	Graphic Controller	14
5.4	JST8 Port.....	15
5.5	Reset Button	15
5.6	ID Switch	15
5.7	Buzzer	15
5.8	JST8-RJ45 Cable.....	16
6	Specifications.....	18
6.1	Electrical Specifications.....	18
6.2	Optical Specifications	19
7	Mechanical Dimensions.....	20
8	Package Contents, Assembly and Mounting Guide	23
8.1	Package content.....	23
8.2	Module Assembly	24

8.3 Mounting Guide	26
9 Software Setup Information	29
9.1 Startup Test	29
9.2 Downloading Firmware	32
9.3 Software Development Tools and Support.....	32
10 Disclaimer Notice: Use of Third-Party Software or Websites	33
11 Warranty Statement.....	34
12 Contact Information.....	35
Appendix A – References.....	36
Document References	36
Acronyms and Abbreviations	36
Appendix B – List of Tables & Figures.....	38
List of Tables	38
List of Figures	38
Appendix C – Revision History.....	40

3 Hardware Features

The IDP-4000-04A module features a 4-inch TFT LCD and Capacitive Touch Panel, with dimensions of 89.1mm (L) X 89.1mm (W) X 12mm (T).

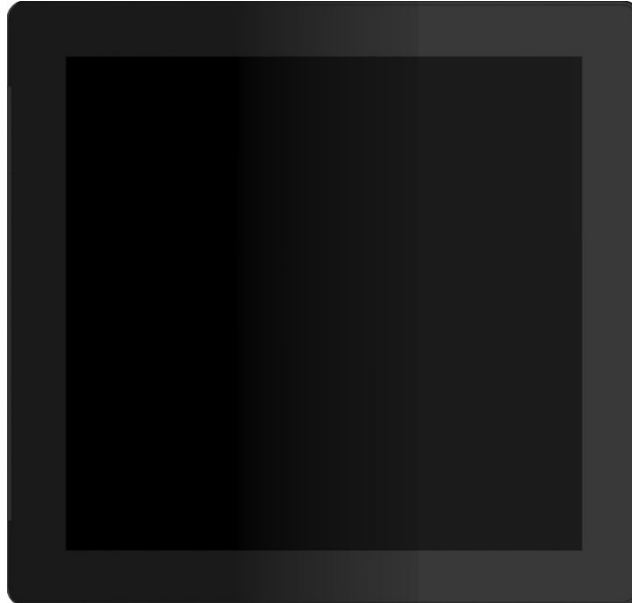


Figure 1 - IDP-4000-04A Module Front View

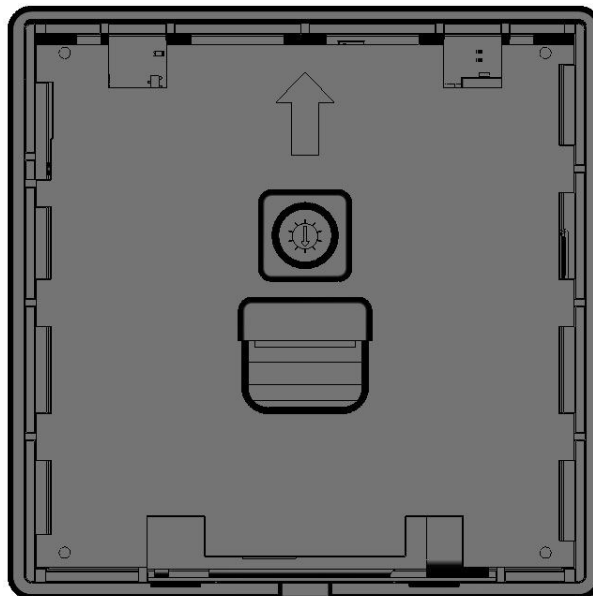


Figure 2 - IDP-4000-04A Module Back View

3.1 PCBA Profile

Dimensions of PCBA: 80mm (L) X 77mm (W) X 1mm (T) with maximum component height of approximately 4mm.

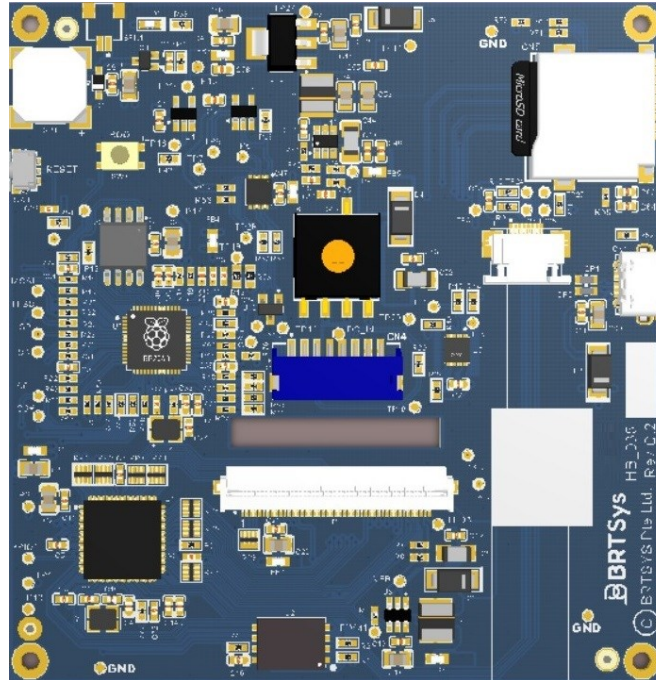


Figure 3 - IDP-4000-04A PCBA Front View

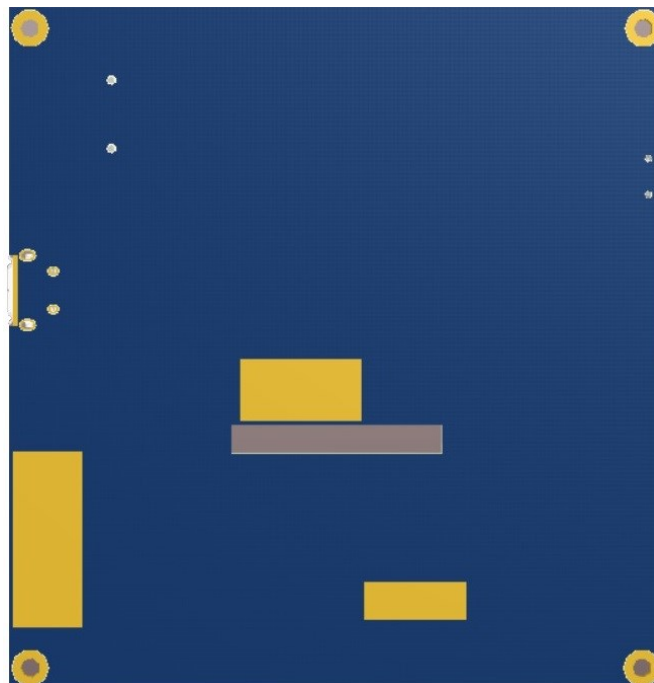


Figure 4 - IDP-4000-04A PCBA Back View

3.1.1 Key Features

- ❖ 4-inch 480 x 480 TFT-LCD panel with capacitive touch panel
- ❖ Bridgetek's BT815 EVE chip for graphics, touch and audio control
- ❖ Raspberry Pi RP2040 microcontroller
- ❖ 8Mbyte NOR Flash with eExecute In Place (XIP) for RP2040 firmware
- ❖ 128Mbit NOR Flash connected with BT815 EVE for assets storage
- ❖ Micro USB port for communication to RP2040 MCU (and for reprogramming Flash)
- ❖ Built-in audio buzzer for sound notifications
- ❖ 45-pin 0.5mm pitch FPC connector for inter-connection to LCD panel
- ❖ 8-pin 0.5mm pitch FPC connector for inter-connection to capacitive touch panel
- ❖ 8-pin 1.5mm pitch JST FPC connector for connection to external host with RS485 interface and input power source
- ❖ Micro-SD card socket
- ❖ ID switch for assigning a unique ID for device management
- ❖ Bootsel button for entering USB device mode
- ❖ Hardware reset button

3.2 PCB Profile

The printed circuit board is a four-layer design incorporating a 90-ohm impedance-controlled trace for USB differential signals, with the following layer stack:

1. Layer 1: Routing & Component placement (Top)
2. Layer 2: Ground Plane
3. Layer 3: Power Plane
4. Layer 4: Routing (Bottom)

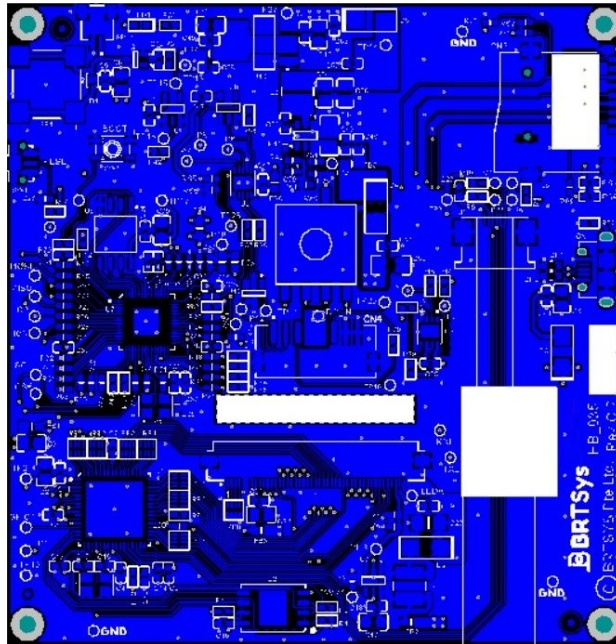


Figure 5 - IDP-4000-04A PCB Top Layer

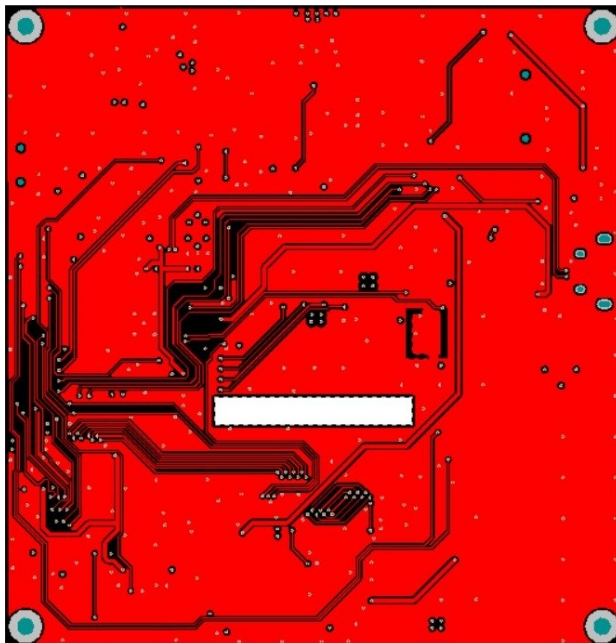


Figure 6 - IDP-4000-04A PCB Bottom Layer

3.3 Connectors, Switches and Buttons

The following sections provide details about the connectors, their pin configurations, and the functions of the switches and buttons on the boards.

3.3.1 Mainboard

- **CN1 – Micro-USB Receptacle**

The micro-USB receptacle enables PC communication with RP2040 MCU and device firmware debug and updates.

- **CN4 – Input Power with RS485 Interface**

The 8-position, 1.5mm pitch right-angle JST connector provides RS485 interface to external devices and accepts 9V to 24V input power supply from external power source.

Pin No.	Name	Type	Description
1	B/Z	I/O	Negative receiver input, DE = 0; Negative driver output, DE=1
2	A/Y	I/O	Positive receiver input, DE = 0; Positive driver output, DE=1
3	NA	NA	Pin shorted to pin 6
4	DC_IN	P	Input power supply
5	DC_IN	P	Input power supply
6	NA	NA	Pin shorted to pin 3
7	GND	P	Ground
8	GND	P	Ground

Table 2 - CN4 Pinout

- **CN5 - Micro SD Card Connector**

Supports SPI communication mode with auto card detection.

- **J1 – Capacitive Touch Panel Interface**

The 8-position 0.5mm pitch top contact FPC connector provides support for LCD panels with capacitive touch function.

Pin No.	Name	Type	Description
1	GND	P	Ground
2	NC	NC	No connection
3	LCD3V3	P	3.3V Output power supply
4	CTP_SCL	O	I2C serial bus, clock line
5	CTP_SDA	I/O	I2C serial bus, data line
6	CTP_INT#	I	Interrupt input from CTP
7	CTP_RST#	O	Reset output to CTP
8	GND	P	Ground

Table 3 - CN3 Pinout

• **J2 – LCD Panel Interface**

This 45-position, 0.5mm pitch bottom-contact FPC connector from Molex is used for inter-connection to the 4" LCD panel. The manufacturer's part number for this connector is "5051104591."

Pin No.	Name	Type	Description
1	NC	NA	No Connection
2	NC	NA	No Connection
3	NC	NA	No Connection
4	NC	NA	No Connection
5	GND	P	Ground
6	GND	P	Ground
7	VDD_3V3	P	3.3V power supply
8	VDD_3V3	P	3.3V power supply
9	NC	NA	No Connection
10	S_MOSI	O	SPI master out slave in signal
11	S_SCK	O	SPI serial clock output
12	S_SSn1	O	SPI chip select signal
13	DISP	O	LCD display enable
14	LCD_R7	O	Bit 7 of red channel in the RGB signal
15	LCD_R6	O	Bit 6 of red channel in the RGB signal
16	LCD_R5	O	Bit 5 of red channel in the RGB signal
17	LCD_R4	O	Bit 4 of red channel in the RGB signal
18	LCD_R3	O	Bit 3 of red channel in the RGB signal
19	LCD_R2	O	Bit 2 of red channel in the RGB signal
20	LCD_R1	O	Bit 1 of red channel in the RGB signal
21	LCD_R0	O	Bit 0 of red channel in the RGB signal
22	LCD_G7	O	Bit 7 of green channel in the RGB signal
23	LCD_G6	O	Bit 6 of green channel in the RGB signal
24	LCD_G5	O	Bit 5 of green channel in the RGB signal
25	LCD_G4	O	Bit 4 of green channel in the RGB signal
26	LCD_G3	O	Bit 3 of green channel in the RGB signal
27	LCD_G2	O	Bit 2 of green channel in the RGB signal
28	LCD_G1	O	Bit 1 of green channel in the RGB signal
29	LCD_G0	O	Bit 0 of green channel in the RGB signal
30	LCD_B7	O	Bit 7 of blue channel in the RGB signal
31	LCD_B6	O	Bit 6 of blue channel in the RGB signal
32	LCD_B5	O	Bit 5 of blue channel in the RGB signal
33	LCD_B4	O	Bit 4 of blue channel in the RGB signal
34	LCD_B3	O	Bit 3 of blue channel in the RGB signal
35	LCD_B2	O	Bit 2 of blue channel in the RGB signal
36	LCD_B1	O	Bit 1 of blue channel in the RGB signal
37	LCD_B0	O	Bit 0 of blue channel in the RGB signal
38	DE	O	LCD data enable
39	LCD_PCLK	O	LCD pixel clock

40	HSYNC	O	LCD horizontal sync
41	VSYNC	O	LCD vertical sync
42	NC	NA	No Connection
43	LEDK	P	LED Cathode
44	NC	NA	No Connection
45	LEDA	P	LED Anode

Table 4 - J2 Pinout

3.3.2 Switches and Buttons

- **SW1** is hardware reset button to reset RP2040 MCU.
- **SW2** is a 10-position rotary switch use for configuring a unique ID for the module.
- **SW3** is the BOOTSEL button to put RP2040 MCU into programming mode to program firmware into the 8MB flash memory connected to QSPI bus.

4 Board Schematics

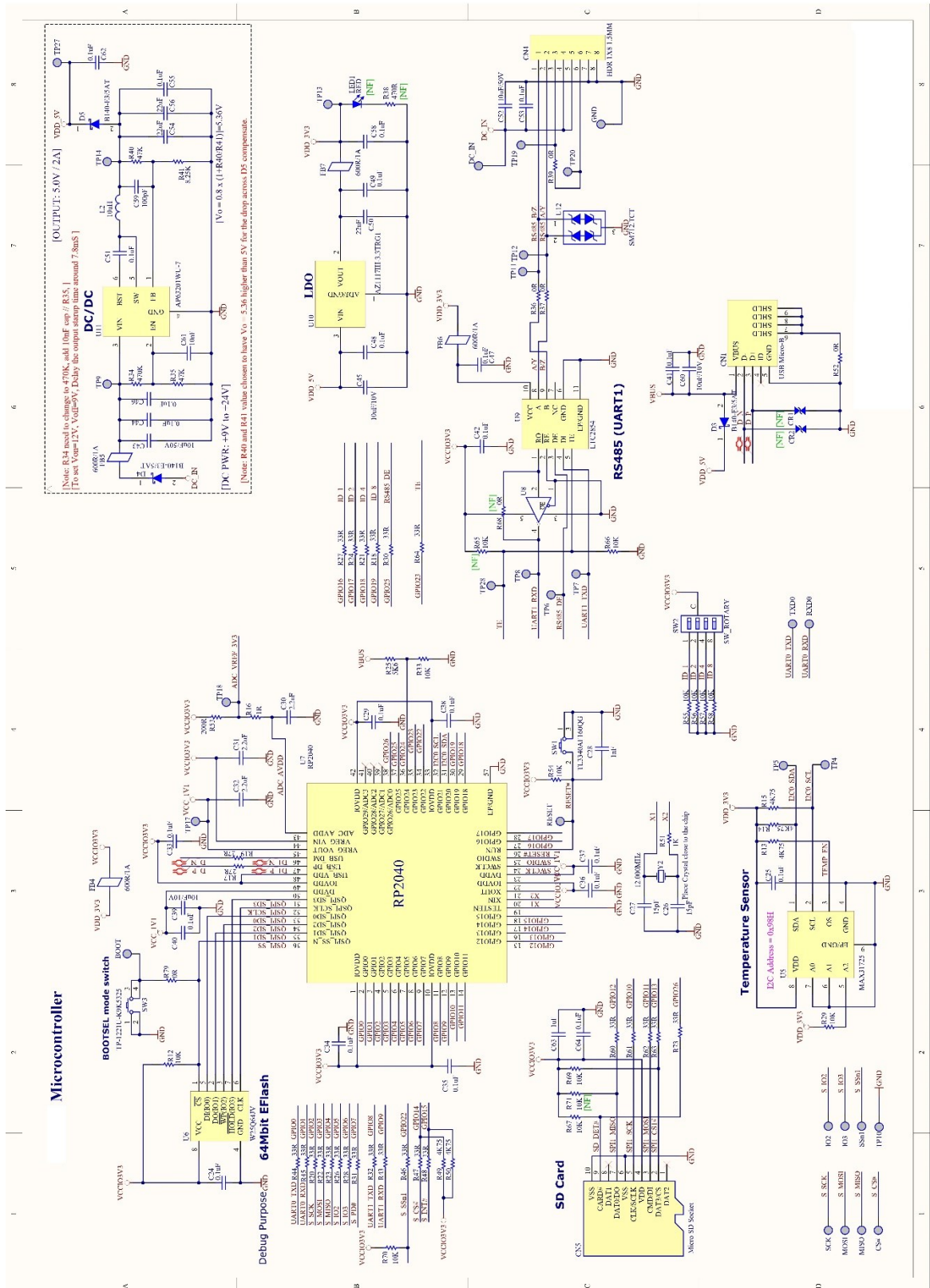
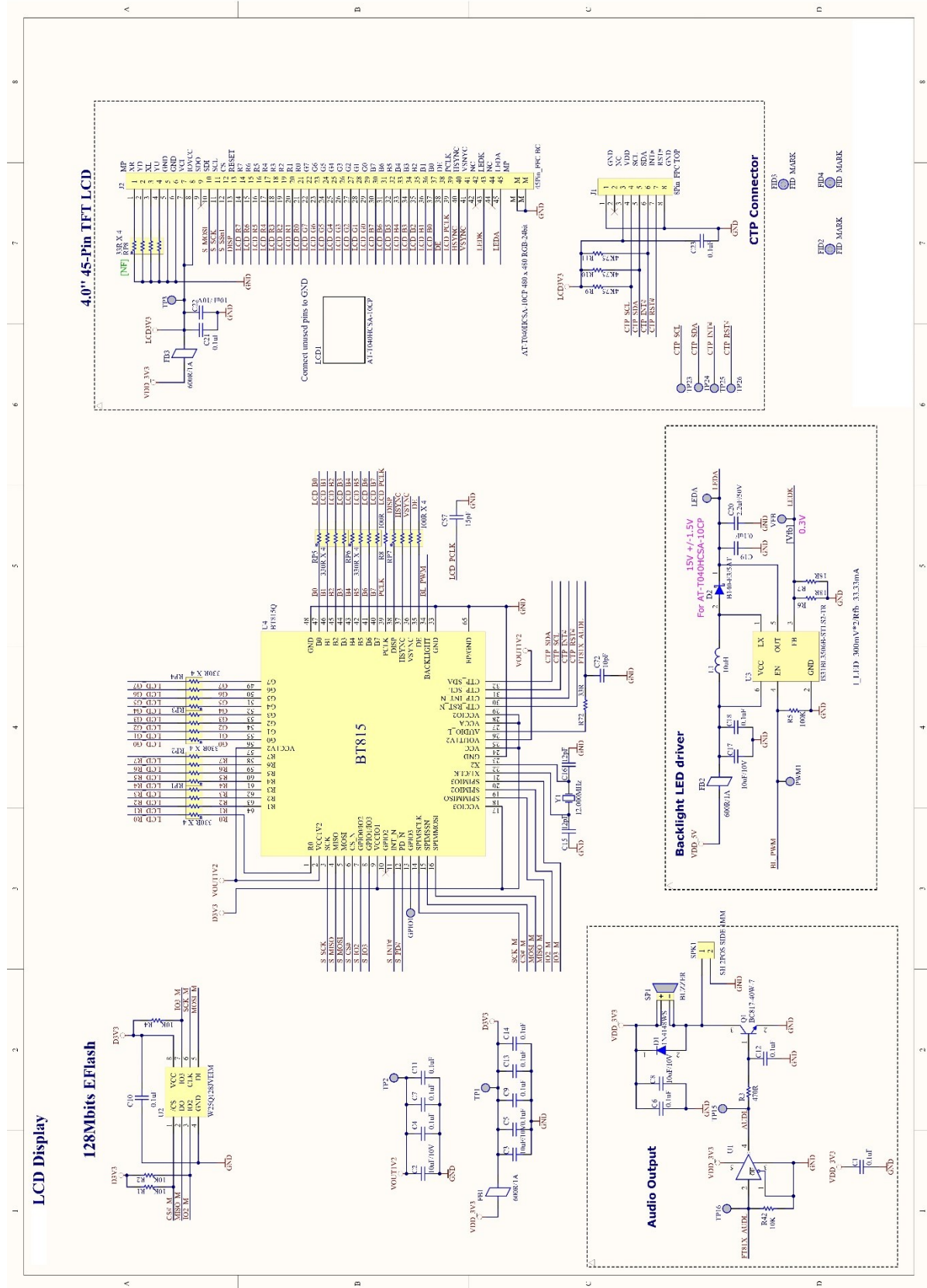


Figure 7 - Power Circuit & Microcontroller



5 Device Description and Configuration

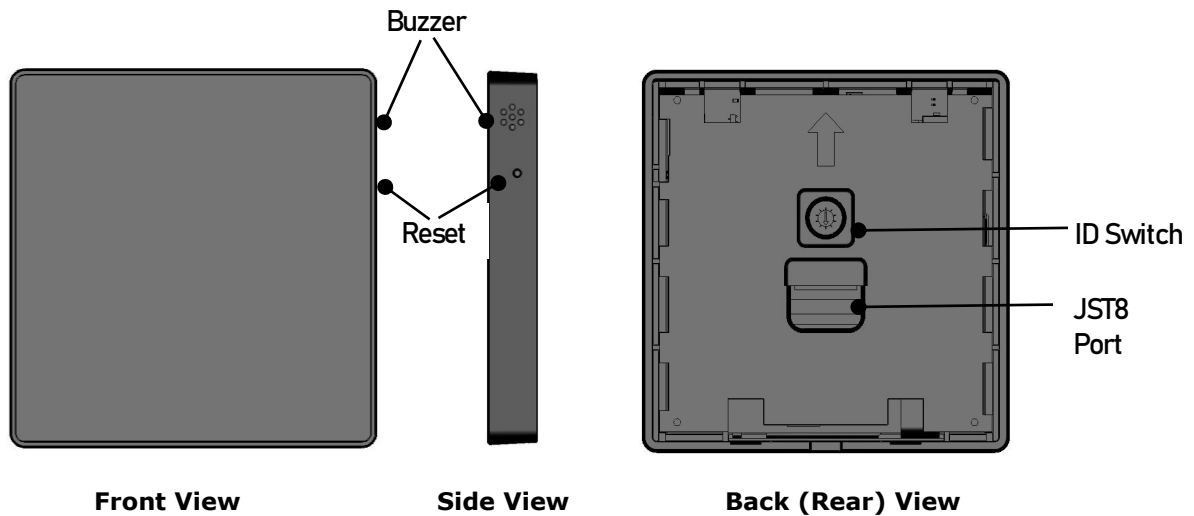


Figure 9 - IDP-4000-04A Hardware Features

5.1 Power Supply

Power is delivered through the JST8 port located on the back of the IDP-4000-04A display module. The supply voltage is 24V DC, with a nominal operating current of approximately 100mA. Users should use a power source with a minimum capacity of 3W.

5.2 Microcontroller

Raspberry Pi RP2040 microcontroller unit used in the module has the following key features:

- Dual ARM Cortex-M0+ @ 133MHz
- 264kB on-chip SRAM in six independent banks
- Support 8MB of on-board Flash memory via dedicated QSPI bus
- Micro-USB port supporting USB2.0 Full-speed device function; reprogramming the Flash can be achieved by simply dragging and dropping a file onto the RP2040 which appears as a mass storage device.
- 26 multi-function 3.3V General Purpose I/O (GPIO) with 23 GPIOs being digital-only and 3 ADC-capable GPIOs.
- 3-pin ARM Serial Wire Debug (SWD) port; the standard Serial Wire Debug (SWD) port can reset the system and load and run code without any button presses as well as for debugging purpose.

For full details of the Raspberry Pi RP2040 MCU, please refer to the [RP2040 Datasheet](#).

5.3 Graphic Controller

The IDP-4000-04A utilizes Bridgetek's third-generation Advanced Embedded Video Engine (EVE) BT815, offering high-resolution graphics and video playback to create high-quality Human Machine Interfaces (HMIs). In addition to graphics, it supports touch screen interface and features sigma delta audio out.

5.4 JST8 Port

Power and data are provided through the 8-position JST connector located at the rear of the display module, which interfaces with an external host controller via RS485. The product package includes a JST8-RJ45 cable for connecting the display module to external devices.

Figure 10 and Table 5 illustrates the pin orientation and functions of the 8-position JST connector.

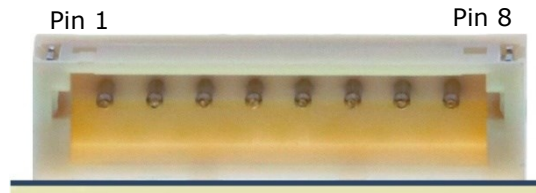


Figure 10 - JST8 Port Pin Orientation

Pin Number	1	2	3, 6	4, 5	7, 8
Function	RS485 B/Z	RS485 A/Y	Detection	DC24V IN	GND

Table 5 - JST8 Port Pin Function

5.5 Reset Button

The IDP-4000-04A module includes a built-in device reset function. The reset button is located at the side of the display module, beneath the buzzer openings, and can be activated by pressing through the hole.

5.6 ID Switch

The ID switch on the back of the display can be configured with custom settings or left at the factory default value of zero.

5.7 Buzzer

The built-in buzzer is used to configure touch sounds, providing audible feedback so users can perceive and confirm their touch interactions with the display.

5.8 JST8-RJ45 Cable

A 5-meter JST8-RJ45 cable, which functions as both the input supply source and RS485 interface to the external host, will be included in the package.

One end of the cable consists of a JST 1.5mm 8-position receptacle while the other end is fitted with a standard RJ45 plug.

Figure 11 and Table 6 illustrates the pin orientation and functions of the JST receptacle and RJ45 plug.

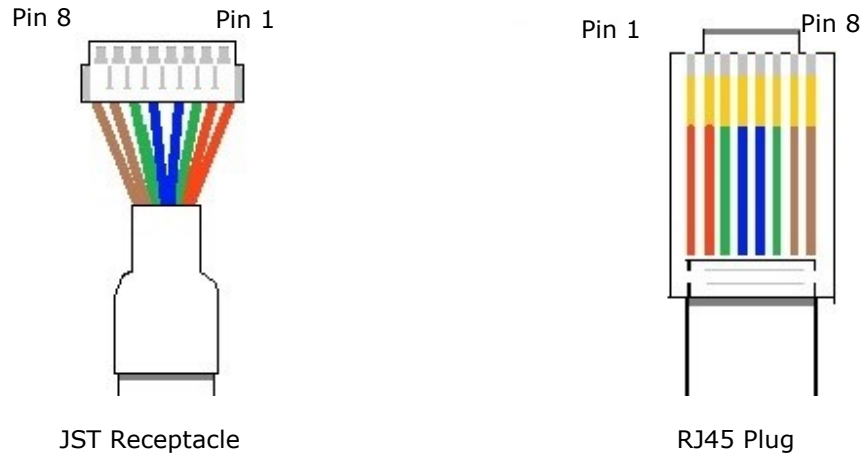


Figure 11 - JST8-RJ45 Cable Pin Orientation

Pin Number	1	2	3, 6	4, 5	7, 8
Function	RS485 B/Z	RS485 A/Y	Detection	DC24V IN	GND

Table 6 - JST8-RJ45 Cable Pin Function

The JST receptacle connects to the IDP-4000-04A module, facilitating communication with an external host and receiving power from it. The RJ45 cable links to the external host, enabling both data transmission and power delivery. Other than incorporating an RJ45 socket with integrated power source in their design, developers can also achieve this by using a widely available Power-over-Ethernet (PoE) splitter. Below are some PoE splitters purchase link from global distributor/ online marketplace:

- [PoE Splitter - Digikey](#)
- [PoE Splitter- AliExpress](#)

Please refer to Figure 12 for connection while using the PoE splitter.

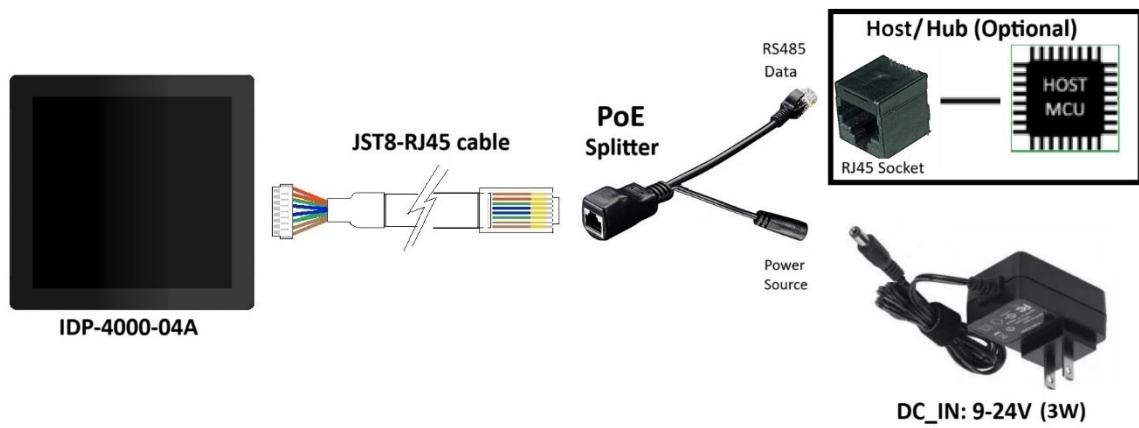


Figure 12 – IDP-4000-04A Connection to Host with Use of PoE Splitter

Note: PoE splitter and DC power adapter not included in package.

6 Specifications

6.1 Electrical Specifications

Parameter		MIN	TYP	MAX	UNIT
DC_IN	Input voltage range	9	24.0	28	V
VCC3V3	Output voltage range	3.0	3.3	3.6	V
Icc_24V	Operating current, DC_IN=24V: Normal Operating current, DC_IN=24V: Screen Timeout	- -	70 50	- -	mA
V _{OD}	Differential Driver Output Voltage RL = ∞, V _{CC} =3V (Figure 13) RL = 27Ω, V _{CC} =3V (Figure 13) RL = 50Ω, V _{CC} =3.13V (Figure 13)	- 1.5 2	- - -	V _{CC} V _{CC} V _{CC}	V
ΔV _{OD}	Change in Magnitude of Driver Differential VOUT for Complementary Output States RL = 27Ω or R = 50Ω (Figure 13)	-	-	0.2	V
V _{OC}	Driver Common-Mode VOUT RL = 27Ω or R = 50Ω (Figure 13)	-	-	3	V
ΔV _{OC}	Change in Magnitude of Driver Common-Mode VOUT for Complementary Output States RL = 27Ω or R = 50Ω (Figure 13)	-	-	0.2	V
Temperature	Operating temperature	0	-	55	°C
	Storage temperature	0	-	60	

Table 7 - Operating Voltage and Current

TEST CIRCUITS

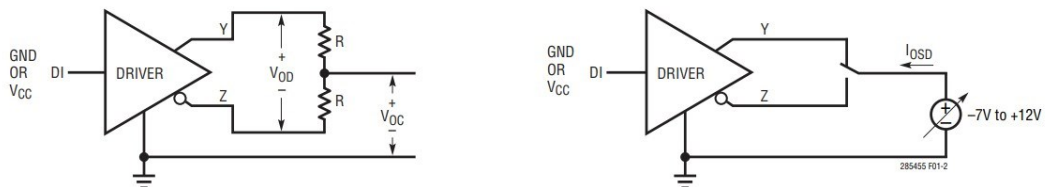


Figure 13 - DC Driver Test Circuits

6.2 Optical Specifications

Item	Symbol	Condition	Min.	Typ.	Max.	Unit	
Brightness	Bp	$\theta=0^\circ$ $\Phi=0^\circ$	-	800	-	Cd/m ²	
Uniformity	ΔBp		80	-	-	%	
Viewing Angle	3:00	$Cr \geq 10$	-	80	-	Deg	
	6:00		-	80	-		
	9:00		-	80	-		
	12:00		-	80	-		
Contrast Ratio	Cr	$\theta=0^\circ$	640	800	-	-	
Response Time	Tr + Tf	$\Phi=0^\circ$	-	30	40	ms	
Color of CIE Coordinate	W	x	$\theta=0^\circ$ $\Phi=0^\circ$	Typ -0.05	Typ +0.05	-	
		y				-	
	R	x				0.290	-
		y				0.344	-
	G	x				0.647	-
		y				0.317	-
	B	x				0.275	-
		y				0.582	-
S	x	0.140	-				
	y	0.088	-				
NTSC Ratio	S		55	60	-	%	

Table 8 - Optical Specifications

Note: The parameter is slightly changed by temperature, driving voltage and material.

7 Mechanical Dimensions

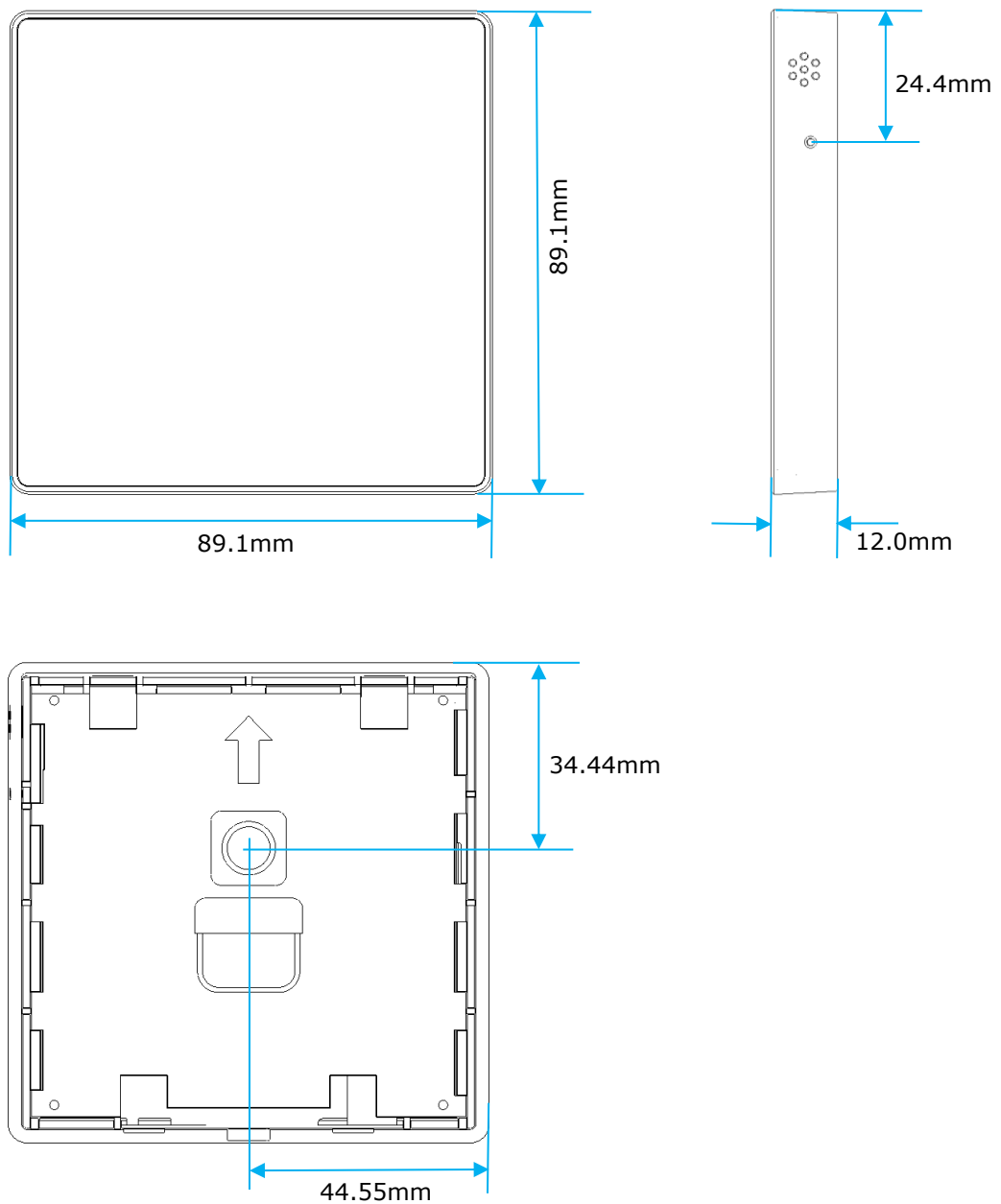


Figure 14 - IDP-4000-04A Display Module Dimensions

Figure 15 below shows:

- a) dimensions of slots and screw holes on the rear cover relative to the center of the cover.
- b) dimensions of device with rear cover attached.

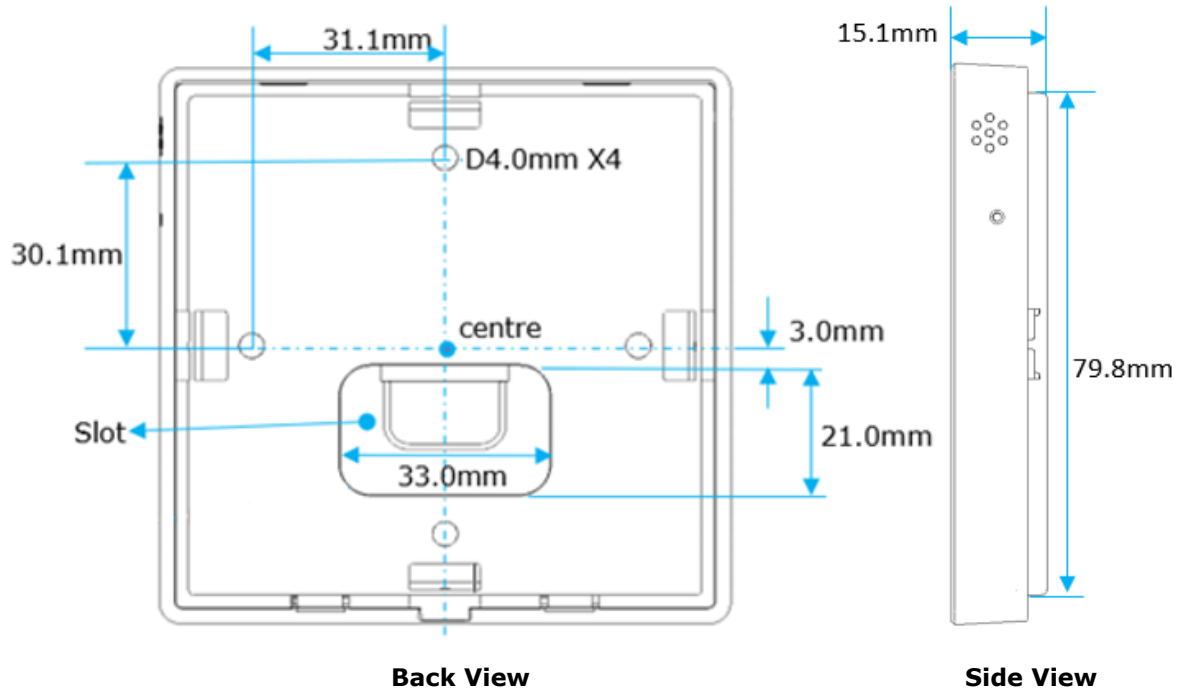


Figure 15 - Rear Cover's Slots and Screw Holes Dimensions

Figure 16 below shows:

- a) dimensions of slots and screw holes of Wall-Box's Mounting Bracket relative to bracket's center
- b) dimensions of module when fitted with Wall-Box's Mounting Bracket

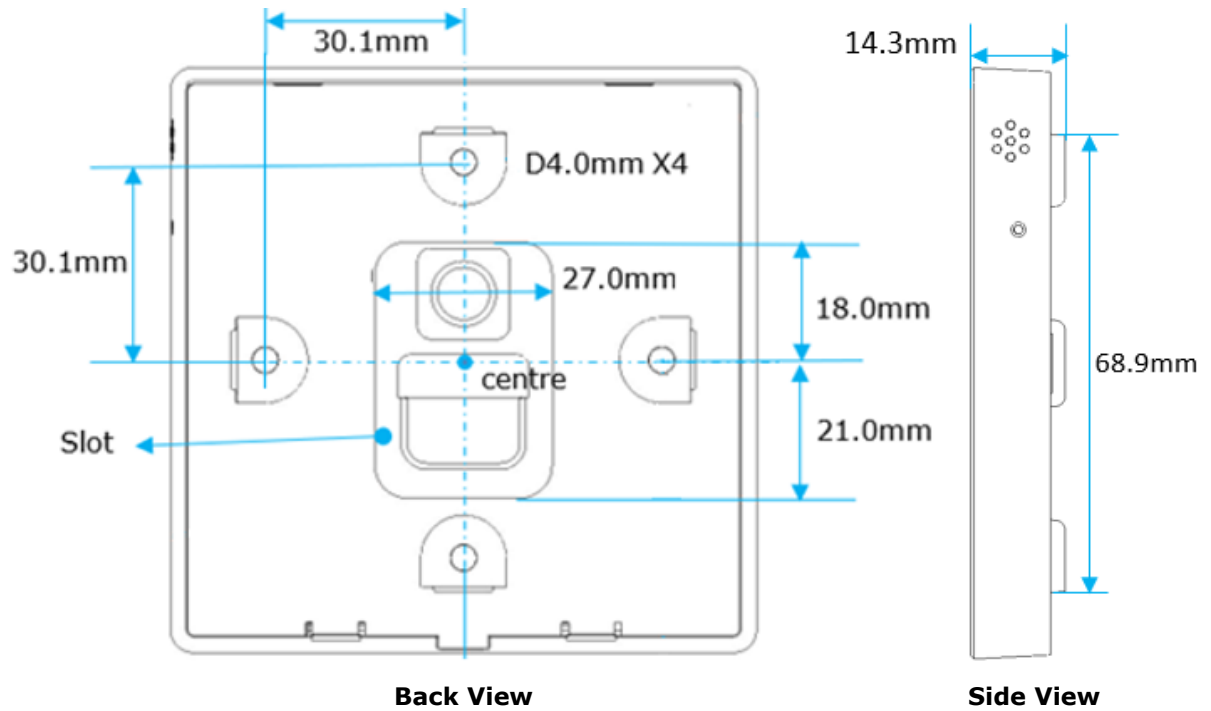


Figure 16 - Wall-Box's Mount Bracket Slots and Screw Holes Dimensions

8 Package Contents, Assembly and Mounting Guide

The following section details the contents of the IDP-4000-04A package, the assembly of the display module, and the device mounting procedure.

8.1 Package content

Table 9 below lists the contents included in the IDP-4000-04A package.

Sl.No.	Description	Quantity
IDP-4000-04A Display Module		
1	Display Module including: LCD, CTP and PCBA *Note 1	1
2	Enclosure *Note 1	1
Mounting Accessories		
3	Wall Box Mounting Bracket *Note 2	1
4	Rear Cover Mounting Bracket *Note 2	1
5	Glass mount cover sheet	1
6	Double sided tape for Glass mount	2
Cable		
7	RJ45 to JST8 cable, 5-meter	1

Table 9 - Package Contents

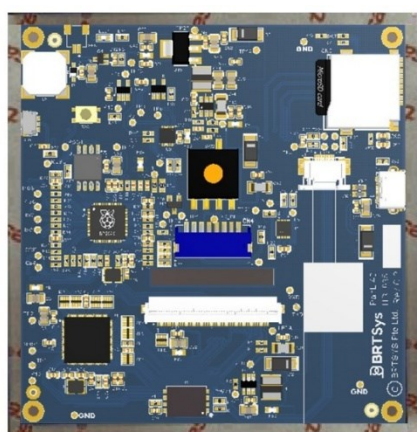
Note:

1. Refer to Figure 17 for an image of the parts.
2. These brackets can be purchased separately as an optional add-on. See Table 1 for part numbers.

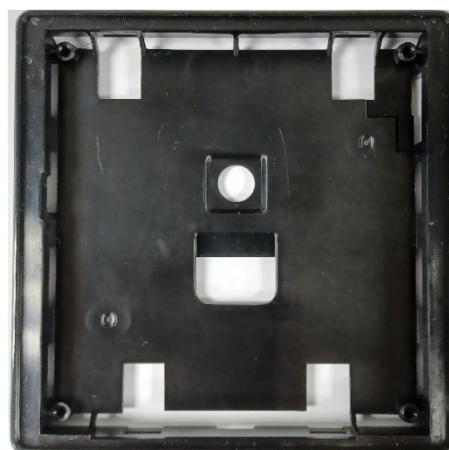
8.2 Module Assembly

Before assembly, ensure the firmware is correctly programmed, the unit is fully tested, and the SD card (if applicable) is inserted. Removing the casing will damage the double-sided tape use to secure the display module to enclosure.

Figure 17 shows IDP-4000-04A display module parts and assembly structure, follow the steps below for module assembly.



Display Module



Enclosure

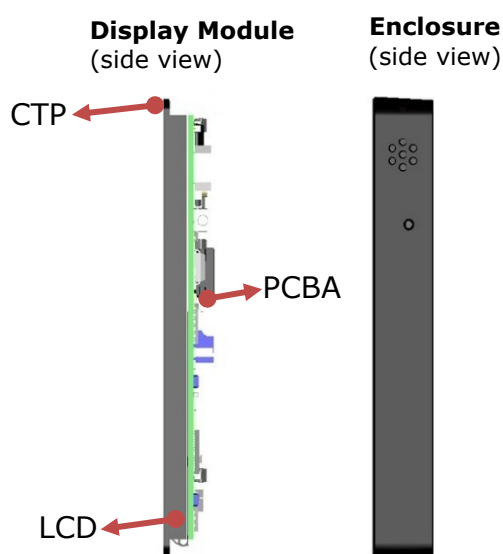
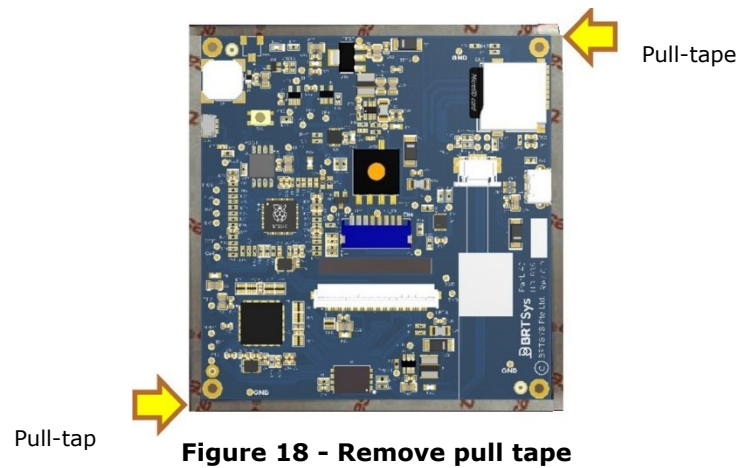
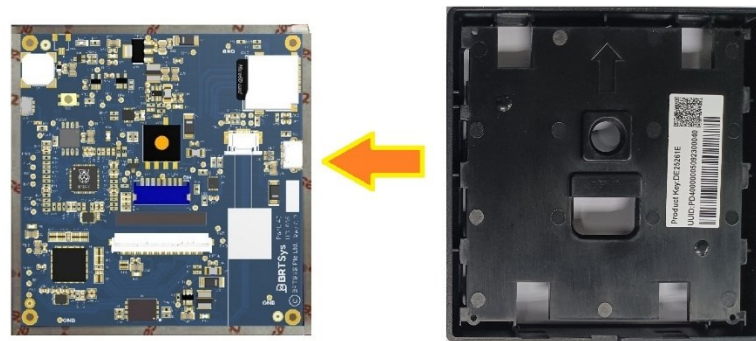


Figure 17 - Display Module and Assembly Structure

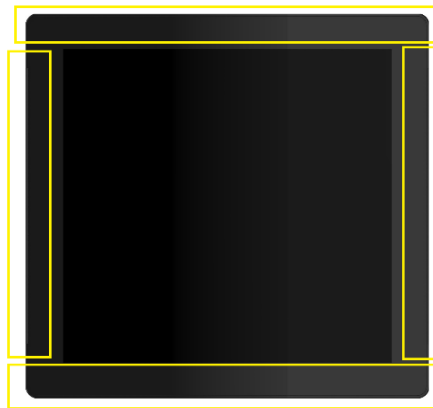
Place the display module face down on a clean, smooth surface to prevent scratching the LCD panel. Next, remove the double-sided tape around CTP by the pull-tapes indicated in Figure 18.



Position the enclosure over the display module, making sure it's properly oriented as shown in Figure 19.



Press firmly on the areas shown in Figure 20 to secure enclosure to the CTP.



8.3 Mounting Guide

The IDP-4000-04A package includes accessories designed to facilitate the mounting of the display module and connecting it to external devices. It supports four mounting options:

1. Wall mount
2. Glass mount
3. Electrical Box mount
4. Wall Box mount

The following section demonstrates these mounting options.

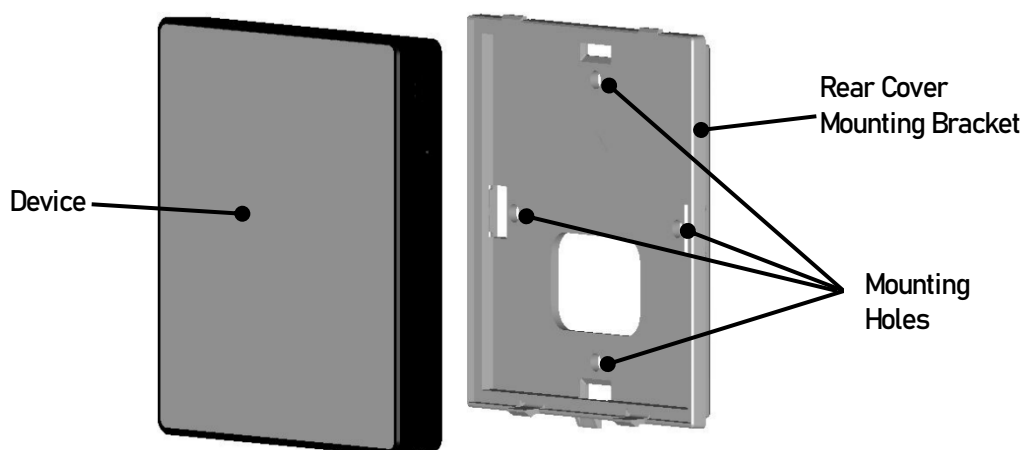


Figure 21 -Wall Mounting

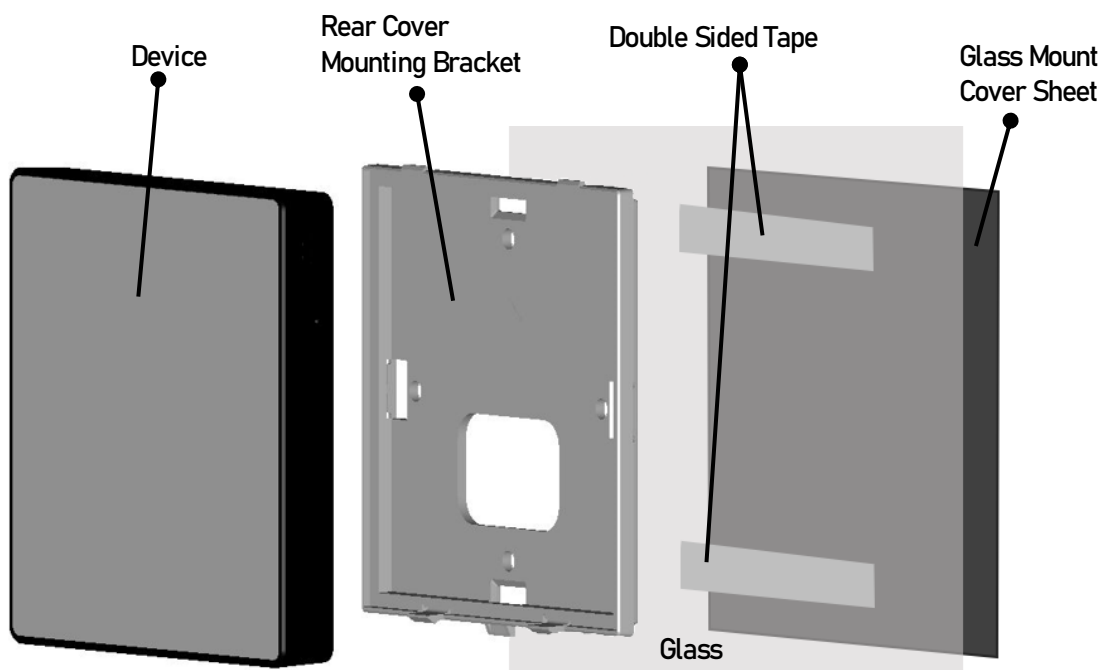


Figure 22 - Glass Mounting

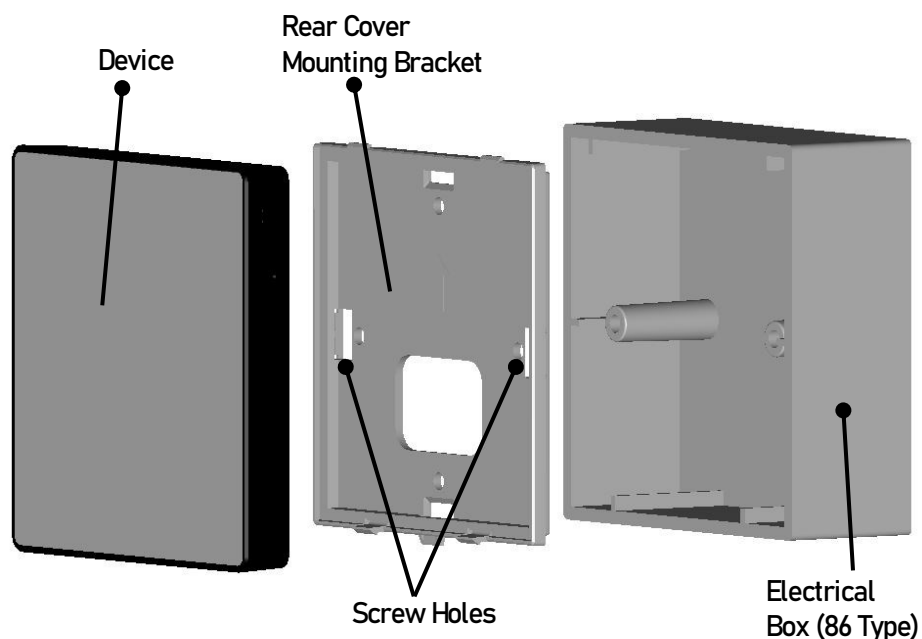


Figure 23 - Electrical Box (86 Type) Mounting

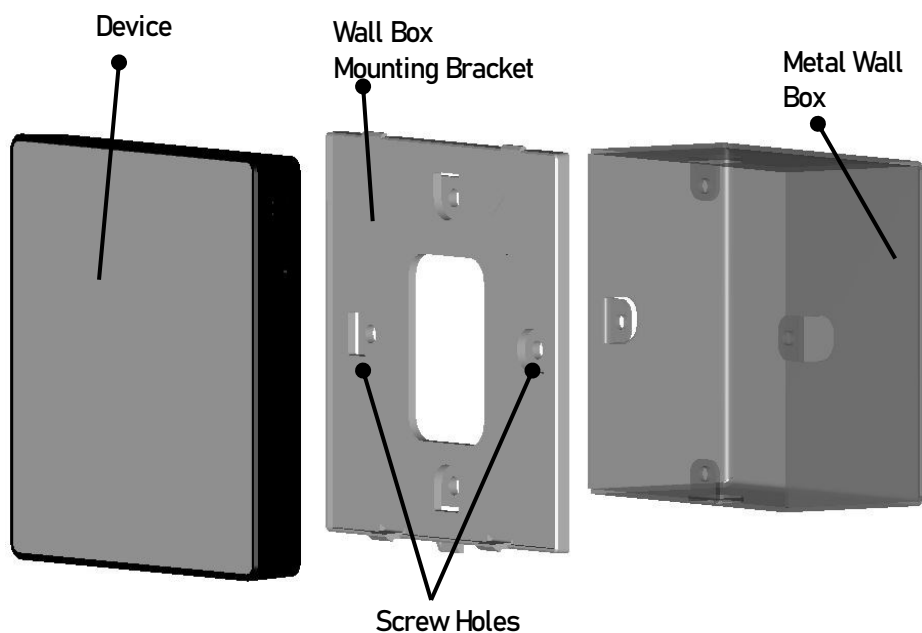


Figure 24 - Wall Box Mounting

Note: Wall mounting, glass mounting, and 86-type electrical box mounting can use the same Rear Cover Mounting Bracket, whereas wall box mounting requires the Wall Box Mounting Bracket.

Figure 25 illustrates the cable wiring direction options for IDP-4000-04A wall mounting (back view). The cable can be routed through one of the four rectangle slots on the rear cover or Wall-Box Mount Bracket for the electrical junction box or wall-box mount. (see Figure 15 for reference).

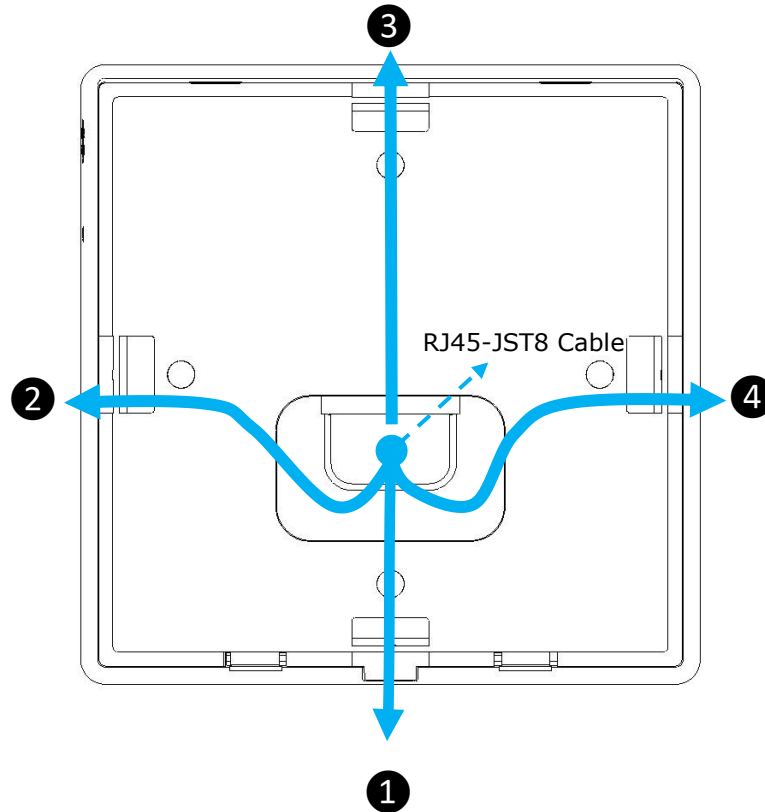


Figure 25 - RJ45-JST8 Cable Wiring Direction Options

Note:

A 5-meter RJ45-JST8 cable is included in the package with the following dimensions:

- Cable: 5m (L) x 9.1mm (W) x 3.0mm (T)
- RJ45 plug: 22mm (L) 11.5mm (W) x 13mm (T) .
- JST 8 plug: 14mm (L) x 4.5 (H) x 3.5 mm (T)

9 Software Setup Information

9.1 Startup Test

The device comes preloaded with default firmware stored in the integrated XIP NOR-Flash. Follow these steps to perform an initial test to ensure the device is functional before flashing developers' own code.

Step 1: Powering Up the Device

Connect the device to power using the provided cable via the JST8 connector at DC_IN. For more information, refer to Section [5.1](#) and [5.8](#).

Step 2: Touch calibration

Once powered on, the display module's preloaded firmware will prompt the user to perform a touch calibration test, as shown in Figure 26. During calibration process, an audible beep tone will be activated. Complete the calibration as required for the application.

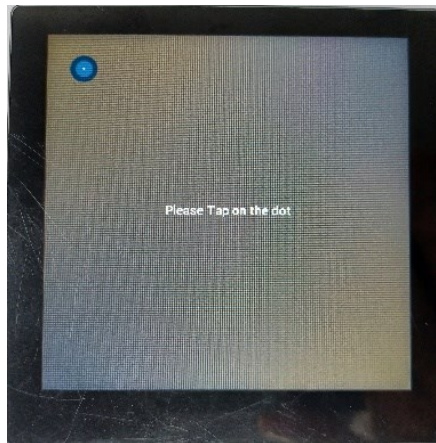


Figure 26 - Touch Calibration

Once the CTP is successfully calibrated, the application will load a **Graphic User Interface** (GUI) featuring a set of menus for simulating air conditioning, lighting, underfloor heating, and curtain control.



Figure 27 - Graphic User Interface

Figure 28 - Figure 31 illustrates the user interface displayed upon selecting the corresponding icons.

Air Conditioning Menu:

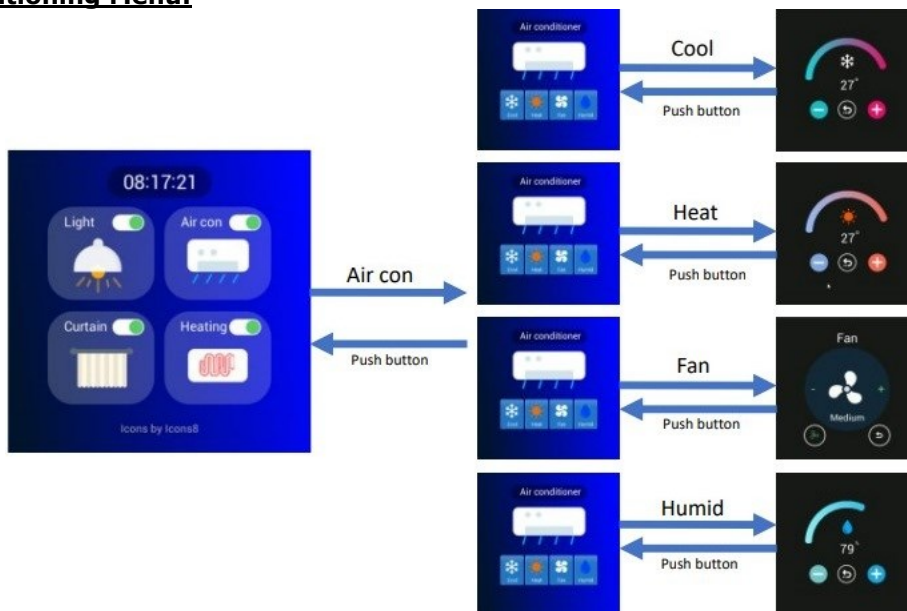


Figure 28 - Air Conditioning Menu

Light Conditioning Menu:

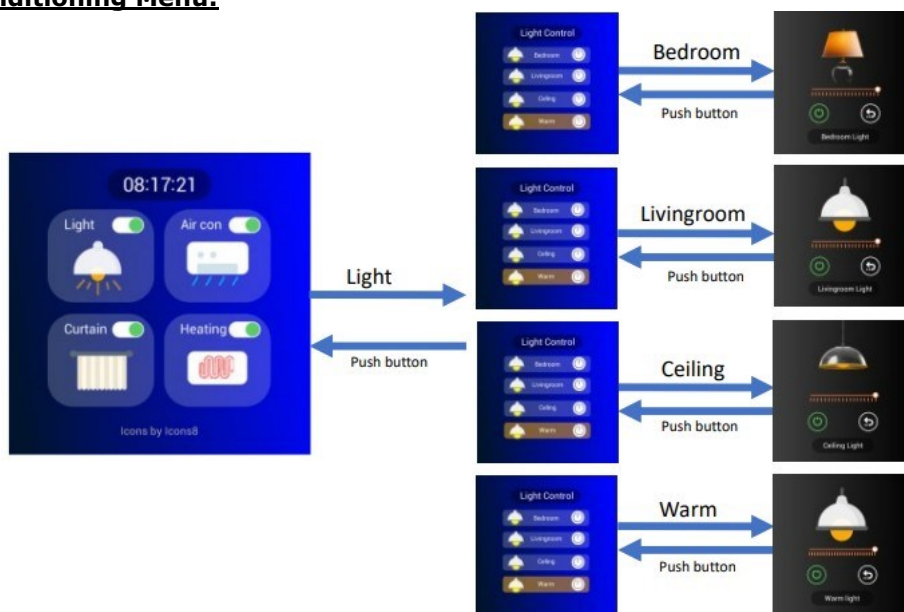


Figure 29 - Light Conditioning Menu

Underfloor Heating Menu:

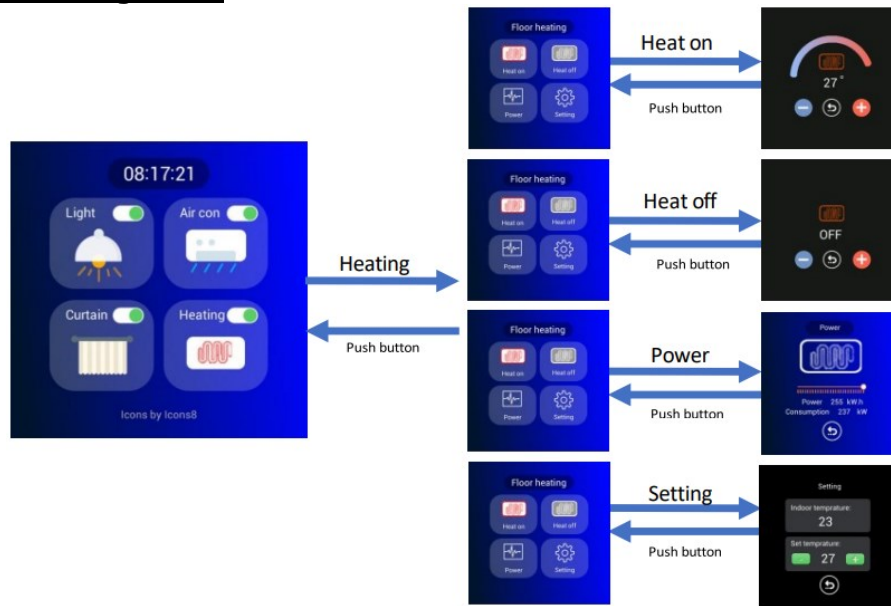


Figure 30 - Underfloor Heating Menu

Curtain Control Menu:

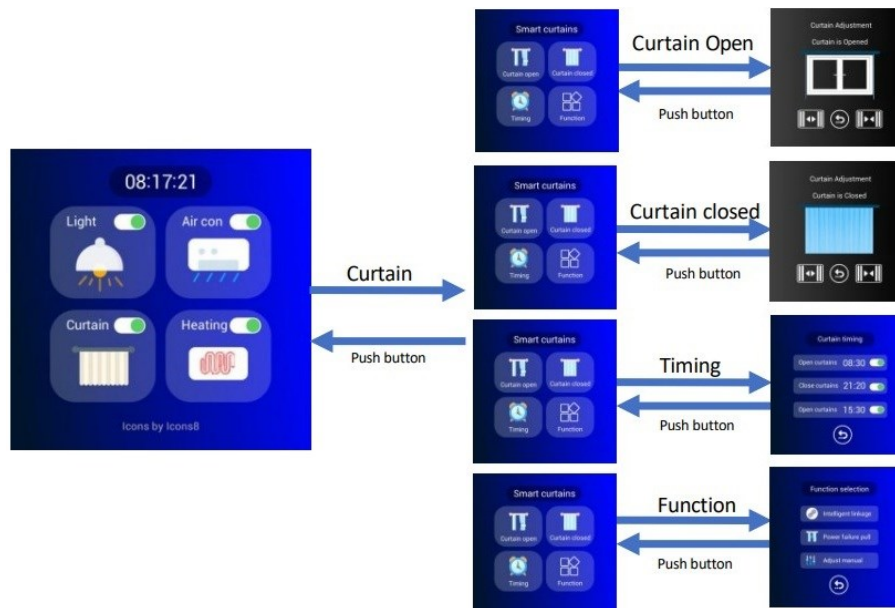


Figure 31 - Curtain Control Menu

9.2 Downloading Firmware

For firmware development, Bridgetek provides various development tools and sample codes to assist in the process. Refer to the Section [9.3](#) for more details. The following methods outline the procedure for downloading the developer's firmware once it is ready.

The developer's firmware can be downloaded into the 64Mbit XIP NOR-Flash attached to the RP2040 Raspberry Pi MCU, as illustrated in Figure 32. Flashing can be performed via the USB Micro connector connected to the MCU.

There are two ways to enter **USB boot mode** for downloading the developer's firmware:

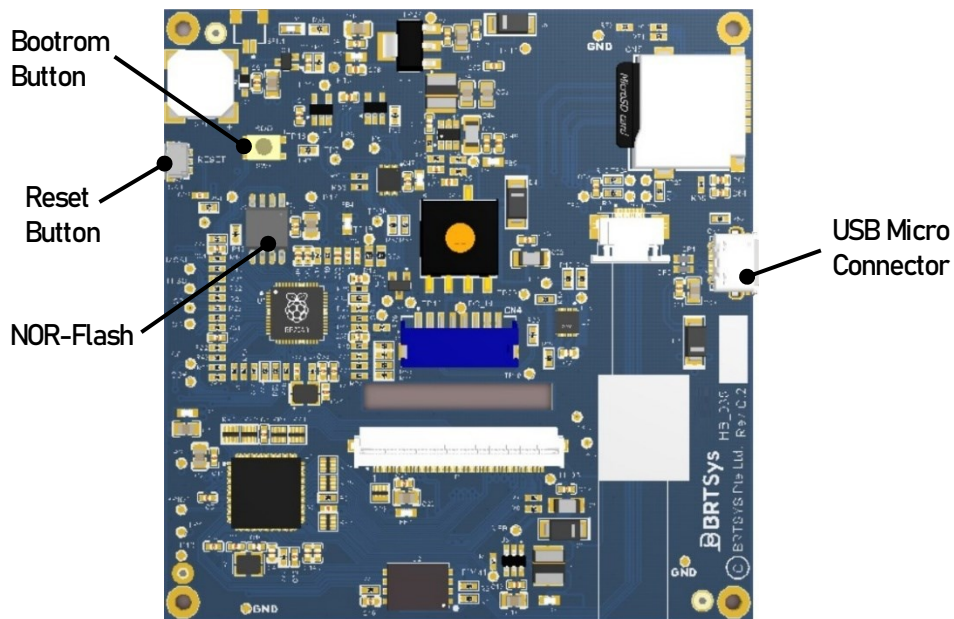


Figure 32 - Downloading Developer's Firmware

- **Method 1:** Press and hold the **Bootrom** button while powering up the display module.
- **Method 2:** While the unit is powered on, press and hold the **Bootrom** button, then press and release the **Reset** button before finally releasing the **Bootrom** button.

For detailed instructions on downloading the firmware, please refer to Section [9.3](#).

9.3 Software Development Tools and Support

Bridgetek provides free, comprehensive software to help users develop applications with ease. For more information, please visit the following web portal:

<https://github.com/Bridgetek/IDP-4000-04A>

10 Disclaimer Notice: Use of Third-Party Software or Websites

We may recommend use of software or web sites that are owned or operated by other companies. We offer or facilitate this recommendation by hyperlinks or other methods to aid your access to the third-party resource. While we endeavour to direct you to helpful, trustworthy resources, we cannot endorse, approve, or guarantee software, information, products, or services provided by or at a third-party resource or track changes in the resource. Thus, we are not responsible for the content or accuracy of any third-party resource or for any loss or damage of any sort resulting from the use of, or for any failure of, products or services provided at or from a third party resource.

We recommend these resources on an "as is" basis. When you use a third party resource, you will be subject to its terms and licenses and no longer be protected by our privacy policy or security practices, which may differ from the third policy or practices or other terms. You should familiarize yourself with any license or use terms of, and the privacy policy and security practices of, the third party resource, which will govern your use of that resource.

11 Warranty Statement

According to our after-sales policy, the warranty (if applicable) will be void under the following circumstances:

- The device has been damaged due to human factors, such as dropping, impact, water exposure, or unauthorized disassembly/modification.
- The device has malfunctioned due to improper use, mishandling, or usage beyond its intended design.
- The device has been disassembled, repaired, or modified by unauthorized personnel.
- Any other conditions that do not comply with our warranty policy.

12 Contact Information

Refer to <https://brtchip.com/contact-us/> for contact information.

Distributor and Sales Representatives

Please visit the Distribution Network – IC & Module (brtchip.com) page for the contact details of our distributor(s) and sales representative(s) in your country.

System and equipment manufacturers and designers are responsible to ensure that their systems, and any Bridgetek Pte Ltd (BRTChip) devices incorporated in their systems, meet all applicable safety, regulatory and system-level performance requirements. All application-related information in this document (including application descriptions, suggested Bridgetek devices and other materials) is provided for reference only. While Bridgetek has taken care to assure it is accurate, this information is subject to customer confirmation, and Bridgetek disclaims all liability for system designs and for any applications assistance provided by Bridgetek. Use of Bridgetek devices in life support and/or safety applications is entirely at the user's risk, and the user agrees to defend, indemnify and hold harmless Bridgetek from any and all damages, claims, suits, or expense resulting from such use. This document is subject to change without notice. No freedom to use patents or other intellectual property rights is implied by the publication of this document. Neither the whole nor any part of the information contained in, or the product described in this document, may be adapted, or reproduced in any material or electronic form without the prior written consent of the copyright holder. Bridgetek Pte Ltd, 1 Tai Seng Avenue, Tower A, #03-05, Singapore 536464. Singapore Registered Company Number: 201542387H.

Appendix A – References

Document References

[BT815 Datasheet](#)

[RP2040 Datasheet](#)

Acronyms and Abbreviations

Terms	Description
CTP	Capacitive Touch Panel
DC	Direct Current
EVE	Embedded Video Engine
FPC	Flexible Printed Circuit
GPIO	General Purpose Input Output
GUI	Graphic User Interface
HMIs	Human Machine Interfaces
IC	Integrated Circuit
I2C	Inter-Integrated Circuit
LCD	Liquid Crystal Display
LED	Light Emitting Diode
LEDA	Light Emitting Diode Anode
LEDK	Light Emitting Diode Cathode
MCU	Micro Controller Unit
PC	Personal Computer
PCB	Printed Circuit Board
PCAP	Projected Capacitive
PCBA	Printed Circuit Board Assembled
PoE	Power-over-Ethernet
RS485	Recommended Standard #485
QSPI	Quad Serial Peripheral Interface

SD Card	Secure Digital Card
SPI	Serial Peripheral Interface
TFT	Thin Film Transistor
USB	Universal Serial Bus
XIP	Execute In Place

Appendix B – List of Tables & Figures

List of Tables

Table 1 - Part Numbers/Ordering Information	2
Table 2 - CN4 Pinout.....	9
Table 3 - CN3 Pinout.....	9
Table 4 - J2 Pinout.....	11
Table 5 - JST8 Port Pin Function	15
Table 6 - JST8-RJ45 Cable Pin Function	16
Table 7 - Operating Voltage and Current	18
Table 8 - Optical Specifications.....	19
Table 9 - Package Contents	23

List of Figures

Figure 1 - IDP-4000-04A Module Front View.....	5
Figure 2 - IDP-4000-04A Module Back View	5
Figure 3 - IDP-4000-04A PCBA Front View	6
Figure 4 - IDP-4000-04A PCBA Back View	6
Figure 5 - IDP-4000-04A PCB Top Layer	8
Figure 6 - IDP-4000-04A PCB Bottom Layer	8
Figure 7 - Power Circuit & Microcontroller	12
Figure 8 - BT815 EVE Graphic Controller	13
Figure 9 - IDP-4000-04A Hardware Features	14
Figure 10 - JST8 Port Pin Orientation	15
Figure 11 - JST8-RJ45 Cable Pin Orientation	16
Figure 12 – IDP-4000-04A Connection to Host with Use of PoE Splitter	17
Figure 13 - DC Driver Test Circuits	18
Figure 14 - IDP-4000-04A Display Module Dimensions	20
Figure 15 - Rear Cover’s Slots and Screw Holes Dimensions	21
Figure 16 - Wall-Box’s Mount Bracket Slots and Screw Holes Dimensions	22
Figure 17 - Display Module and Assembly Structure.....	24
Figure 18 - Remove pull tape.....	25
Figure 19 - Display Module and Enclosure Orientation	25
Figure 20 - Securing enclosure to CTP.....	25
Figure 21 -Wall Mounting.....	26
Figure 22 - Glass Mounting	26
Figure 23 - Electrical Box (86 Type) Mounting	27
Figure 24 - Wall Box Mounting	27
Figure 25 - RJ45-JST8 Cable Wiring Direction Options.....	28

Figure 26 - Touch Calibration	29
Figure 27 - Graphic User Interface.....	29
Figure 28 - Air Conditioning Menu.....	30
Figure 29 - Light Conditioning Menu.....	30
Figure 30 - Underfloor Heating Menu	31
Figure 31 - Curtain Control Menu.....	31
Figure 32 - Downloading Developer's Firmware	32

Appendix C – Revision History

Document Title: IDP-4000-04A Touch Display Module Datasheet
Document Reference No.: BRT_000450
Clearance No.: BRT#220
Product Page: <https://brtchip.com/product/idp-4000-04a>
Document Feedback: [Send Feedback](#)

Revision	Changes	Date
Version 1.0	Initial Release	21-02-2025
Version 1.1	Updated the following – Product Name; Part Number/Ordering Information; Product page hyperlink; Github hyperlink Added Warranty Statement section	07-04-2025