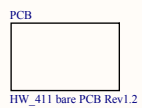
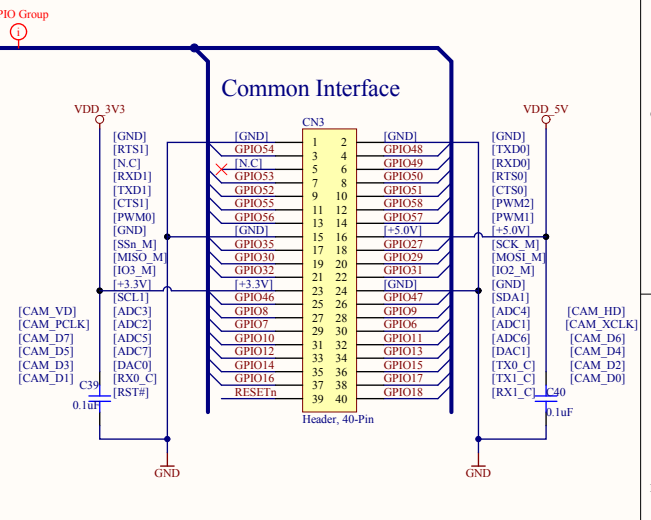
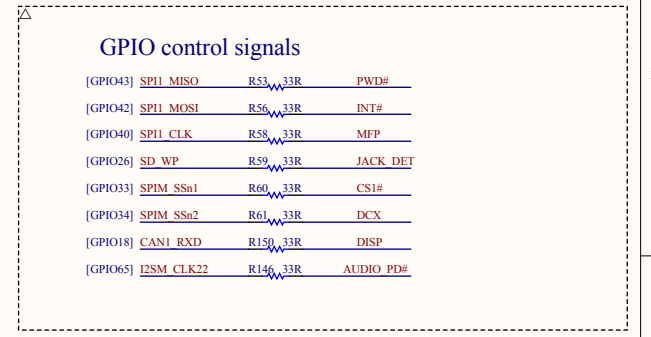
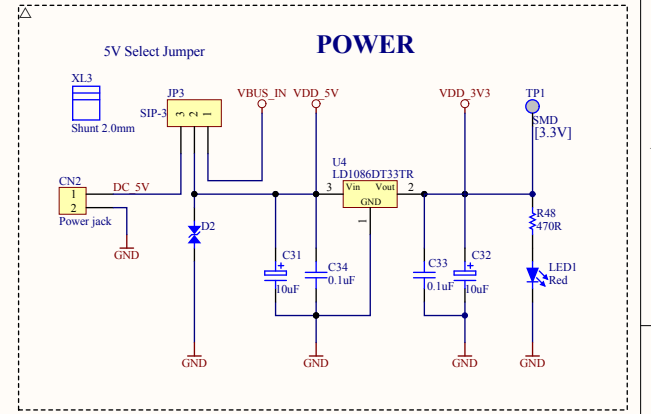
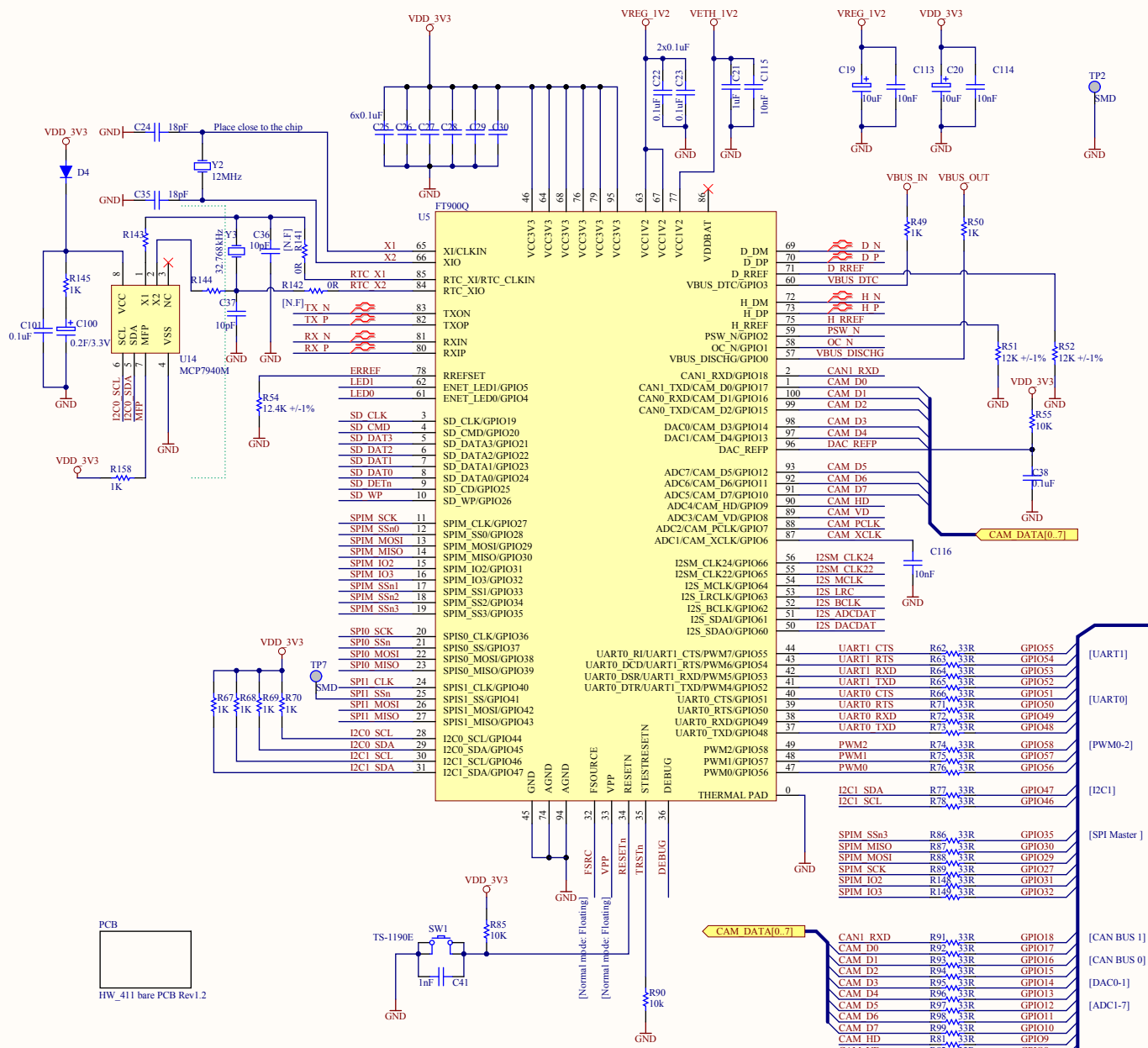
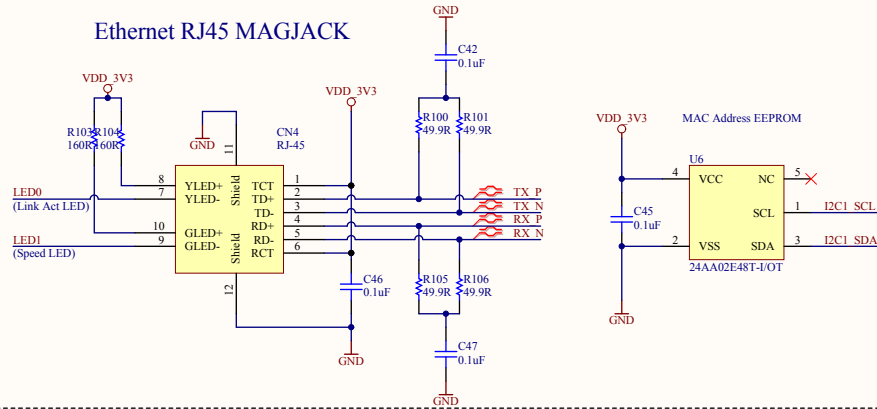


# FT900 Module

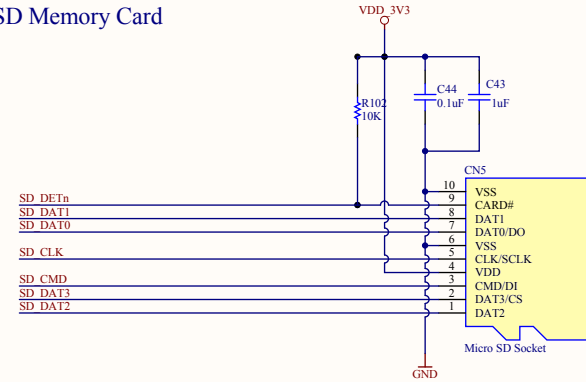
A  
B  
C  
D



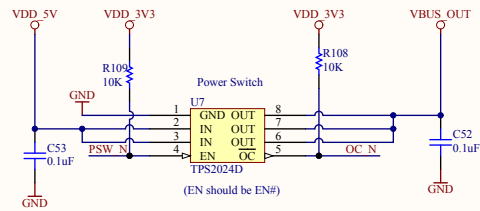
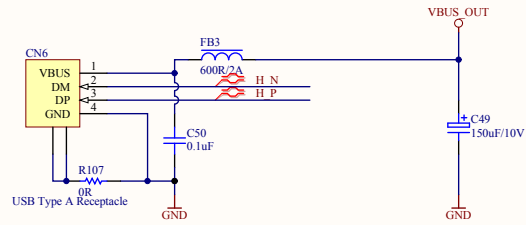
### Ethernet RJ45 MAGJACK



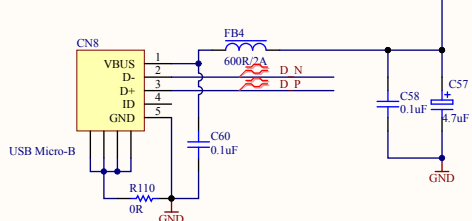
### SD Memory Card



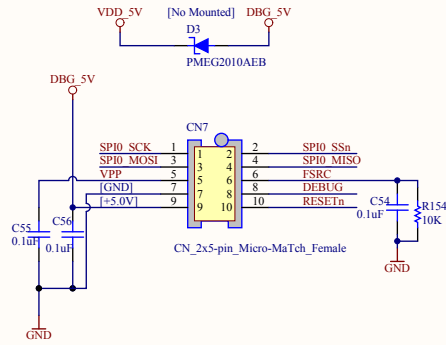
### USB2.0 Host Port



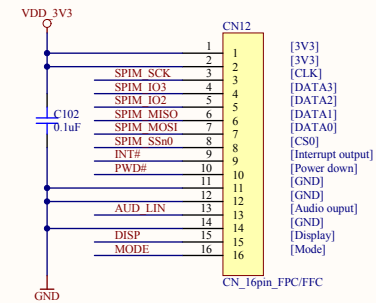
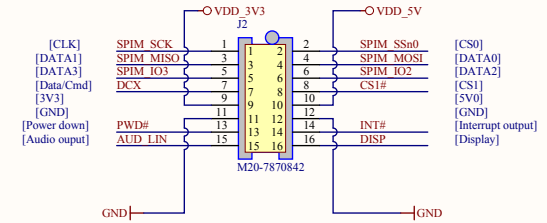
### USB2.0 Device Port



### EFUSE & Programmer IF



### I/O Daughter



# AUDIO CODEC

